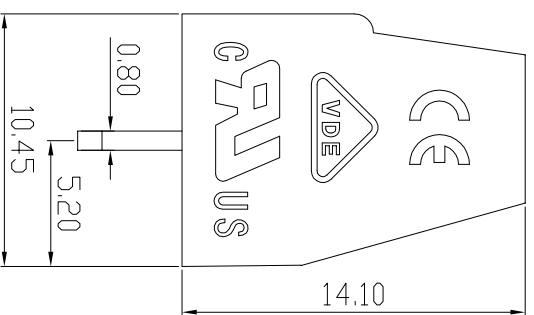
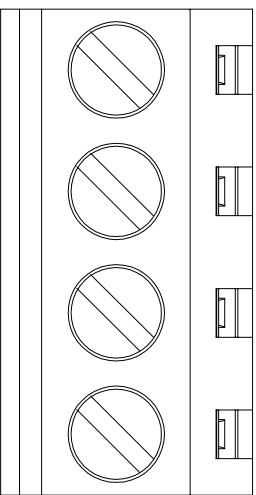
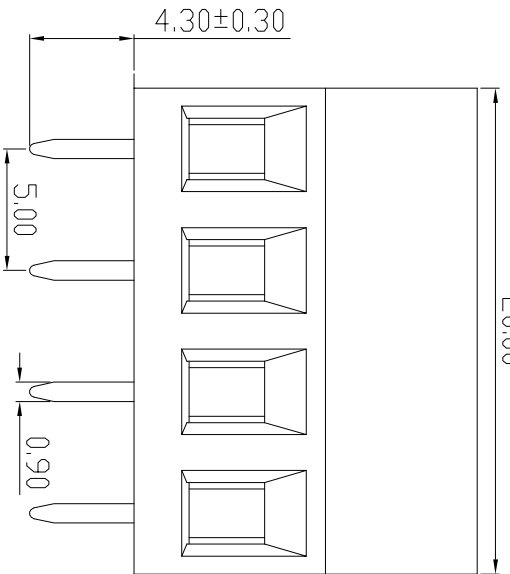
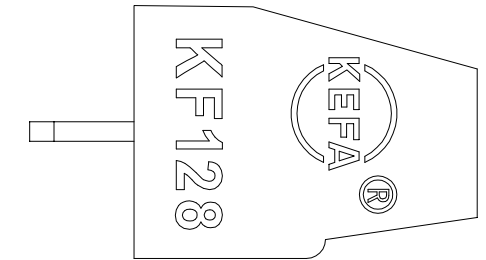
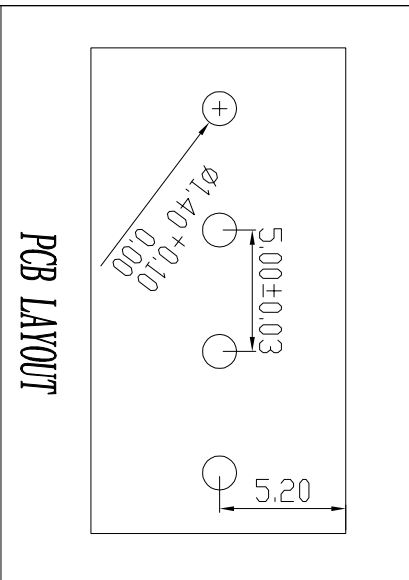


linear dimension (Tolerances Standard GB/T 14486-2008)											—		—
variable range	6 to 6	over 10 to 10	over 10 to 30	over 30 to 60	over 60 to 100	over 100 to 160	over 160 to 10	over 10 to 100	over 100 to 100	over 100 to 100	over 100 to 100	over 100 to 100	over 100 to 100
tolerance	±0.20	±0.30	±0.50	±0.70	±1.00	±1.30	±1.60	0.10	0.30	0.60			



REVISION RECORD				
REV.	DESCRIPTION	ECN No.	APPROVED	DATE
A	新发行		QLF	24.08.27

UL/CUL 技术参数		UL/CUL Technical Data			
等级	Use Group	B	C	D	
额定电压	Rated Voltage	V	300	-	300
额定电流	Rated Current	A	10	-	10
接线范围	Wire Range	22-12			
单/多芯线	Solid/Stranded	AWG			
耐电压	Withstanding Voltage	1600V/1Min			
IEC 技术参数					
IEC Technical Data					
过电压类别	Overvoltage Category	III	III	III	II
污染等级	Contamination Class	3	2	2	2
额定电压	Rated Voltage	V	250	400	630
额定电流	Rated Current	A	24	24	24
额定冲击电压	Impulse withstand voltage	kV	4.0	4.0	4.0
导线截面积	Conductor cross section	mm ²	2.5		
硬质/柔性导线	Solid/flexible				
材料					
绝缘材料	Insulation Material	PA66			
阻燃等级	Inflammability	UL94V-0			
导体材料	Contact Material	铜合金 Copper alloy			
导体表面镀层	Contactive Coating	铁锡 Tin Plated			
一般参数 Other Data					
间距 Pitch	mm	5.0			
极数 Poles	p	4			
剥线长度 Stripping Length	mm	6-7			
螺丝 Screw/扭矩 Torque(Max)	N.m	M2.5/0.4			
工作温度 Operating temperatur	°C	-40~+105			
引脚尺寸 Pin Dimensions	mm	4.3			
PCB板孔径 PCB Hole Diameter	mm	1.4			

DES.	FGG	DATE	24.08.27	单位 / UNITS	mm	尺寸 / SIZE	A4	比例 / SCALE	1:1	第三视角/THIRD ANGLE PROJECTION	版本 / REV	A
CHK.	CLF	DATE	24.08.27	名称 / TITLE	KEFA128-5.0-4P							
APP.	CLF	DATE	24.08.27	慈溪市科发电子有限公司 CXI KEFA ELECTRONIC CO., LTD								